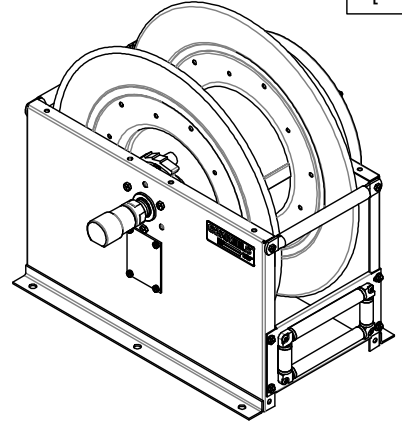
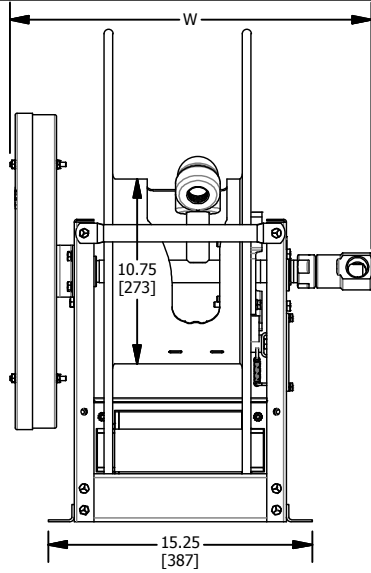
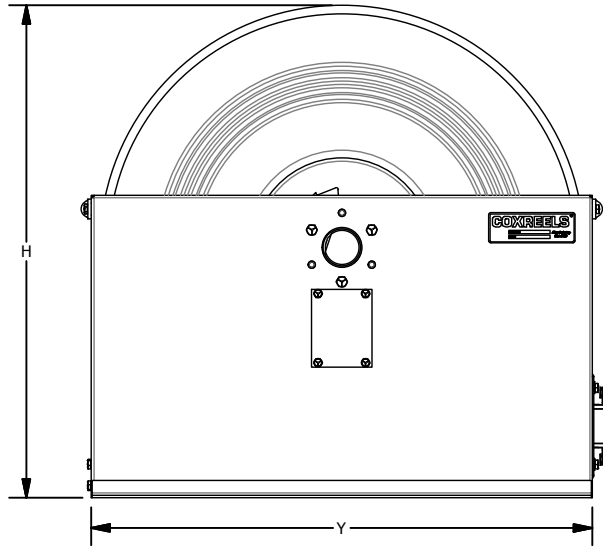
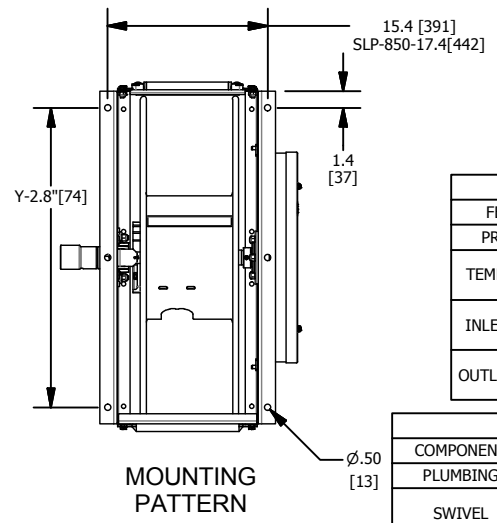


in[mm]



CAPACITY FT[m]

MODEL	W	H	Y	3/8"	1/2"	3/4"	1"	1.25"	1.5"	WEIGHT lb[kg]
SLP-4100	18.5 [470]	20.5 [521]	21.5 [546]		100 [30.5]					96 [44]
SLP-550	19.6 [498]	20.5 [521]	21.5 [546]			50 [15]				86 [39]
SLP-575	19.6 [498]	24.5 [622]	25 [635]			75 [23]				117 [53]
SLP-5100	19.6 [498]	24.5 [622]	25 [635]			100 [30.5]				126 [57]
SLP-625	21 [533]	20.5 [521]	21.5 [546]				25 [8]			90 [41]
SLP-650	21 [533]	24.5 [622]	25 [635]				50 [16]			109 [49]
SLP-675	21 [533]	28.5 [724]	29 [737]				75 [24]			148 [67]
SLP-725	17.5 [444]	24.5 [622]	25 [635]					25 [8]		110 [50]
SLP-750	18 [457]	28.5 [724]	29 [737]					50 [16]		123 [56]
SLP-825	17.5 [444]	24.5 [622]	25 [635]						25 [8]	107 [48]
SLP-835	18 [457]	28.5 [724]	29 [737]						35 [11]	128 [58]
SLP-850	20 [508]	28.5 [724]	29 [737]							138 [62]
DLP-350	21.5 [546]	20.5 [521]	21.5 [546]	50 [15]						94 [42]
DLP-375	21.5 [546]	20.5 [521]	21.5 [546]	75 [24]						115 [52]
DLP-3100	21.5 [546]	24.5 [622]	25 [635]							117 [53]
DLP-450	21.5 [546]	20.5 [521]	21.5 [546]		50 [15]					97 [44]
DLP-475	21.5 [546]	24.5 [622]	25 [635]		75 [23]					104 [48]
DLP-4100	21.5 [546]	28.5 [724]	29 [737]		100 [30.5]					138 [62]
DLP-525	23.8 [604]	20.5 [521]	21.5 [546]				25 [8]			93 [42]
DLP-550	23.8 [604]	24.5 [622]	25 [635]				50 [15]			100 [45]

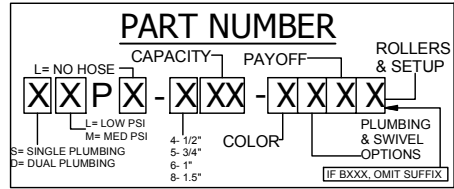


SPECIFICATIONS		
FEATURE	SPEC.	OPTION
PRESSURE	250 PSI [17 BAR]	2500 PSI [172 BAR]
TEMPERATURE	-40 F TO 225 F [-40 C TO 107 C]	-60 F TO 400F [-51 C TO 204 C]
INLET THREAD	NPT FEMALE	REEL-FEMALE HOSE- MALE
OUTLET THREAD	NPT FEMALE	REEL-FEMALE HOSE- MALE

MATERIAL SPECIFICATIONS		
COMPONENT	MATERIAL	OPTIONS
PLUMBING	STEEL	316 STAINLESS STEEL
SWIVEL	BRASS / STEEL	316 STAINLESS STEEL 90 DEGREE SS OR Ni
SEALS	NITRILE 1" AFLAS ONLY	VITON, EPDM, AFLAS (SS OR Ni ONLY)
REEL	STEEL	-
BEARINGS	BRONZE, SELF LUBE	-
FINISH	BLUE POLYESTER POWDER COAT	RED(R), GREEN(N), WHITE(W), BLACK [WRINKLE(C)/ GLOSS(K)] GREY(G)

CAPACITY FT[m]

MODEL	W	H	Y	3/8"	1/2"	3/4"	1"	WEIGHT lb[kg]
SMP-4100	18.5 [470]	20.5 [521]	21.5 [546]		100 [30]			113 [51]
SMP-550	19.6 [498]	20.5 [521]	21.5 [546]			50 [15]		89 [41]
SMP-575	19.6 [498]	24.5 [622]	25 [635]			75 [24]		121 [55]
SMP-5100	19.6 [498]	24.5 [622]	25 [635]			100 [30]		126 [57]
SMP-625	21 [533]	20.5 [521]	21.5 [546]				25 [8]	92 [42]
SMP-650	21 [533]	24.5 [622]	25 [635]				50 [15]	110 [50]
SMP-675	21 [533]	28.5 [724]	29 [737]				75 [24]	135 [61]
DMP-350	21.5 [546]	20.5 [521]	21.5 [546]	50 [15]				99 [45]
DMP-375	21.5 [546]	20.5 [521]	21.5 [546]	75 [24]				128 [58]
DMP-3100	21.5 [546]	24.5 [622]	25 [635]	100 [30]				120 [54]
DMP-450	21.5 [546]	20.5 [521]	21.5 [546]		50 [15]			102 [46]
DMP-475	21.5 [546]	24.5 [622]	25 [635]		75 [24]			115 [52]
DMP-4100	21.5 [546]	28.5 [724]	29 [737]		100 [30]			138 [62]



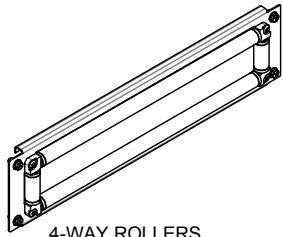
UNLISTED OPTIONS & CUSTOM REELS
 NOT ALL OPTIONS ARE LISTED. CONTACT YOUR SALES REPRESENTATIVE OR FACTORY FOR ADDITIONAL OPTIONS & CUSTOM MODIFICATIONS

COXREELS
 5865 S Ash Avenue Tempe, Az 85283
 1-800-COX-REEL www.coxreels.com
 THIS DOCUMENT CONTAINS PROPRIETARY INFORMATION AND IS THE PROPERTY OF COXREELS, INC. THE COPYING, DISTRIBUTION AND UTILIZATION OF THIS DOCUMENT AS WELL AS COMMUNICATION OF ITS CONTENT TO OTHERS WITHOUT THE WRITTEN AUTHORIZATION OF COXREELS, INC., IS PROHIBITED.

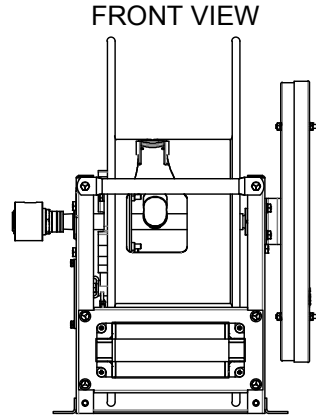
TITLE: SP/DP SERIES	
DWG. NO.:	REV.
SP/DP SERIES	
3RD ANGLE	INTERPERT PER ASME : Y14.5M-1994 DO NOT SCALE DWG.
SIZE: A	SHT:1 OF:2

ROLLER BRACKET OPTIONS

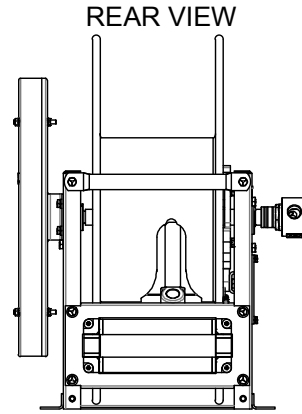
in[mm]



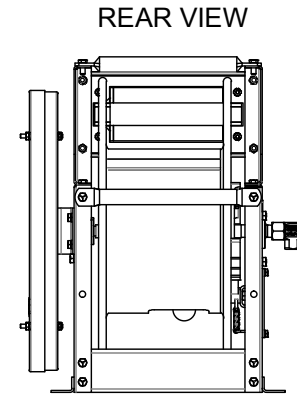
4-WAY ROLLERS
STAINLESS STEEL
Ø 1" ROLLERS
(P/N 8100-XX FOR 3/8" TO 3/4")
(P/N 8101-XX FOR 1"-1.5")



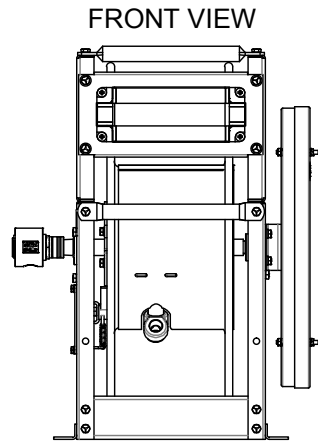
STANDARD
SWIVEL: LEFT
RISER: LEFT BOTTOM
SPRING: RIGHT
ROLLERS: BOTTOM



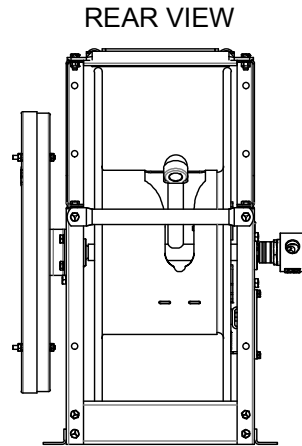
-BXFC
SWIVEL: RIGHT
RISER: RIGHT BOTTOM
SPRING: LEFT
(REVERSE PLUMBING, DRUM, & SPRING)
ROLLERS: BOTTOM - REAR



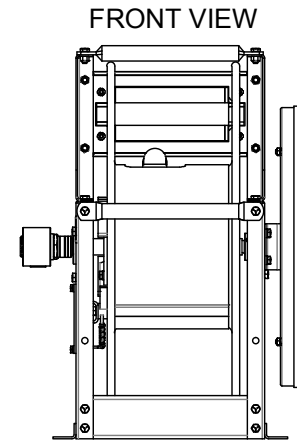
-BXCX
SWIVEL: RIGHT
RISER: RIGHT TOP
SPRING: LEFT
ROLLERS: TOP - REAR



-BXCC
SWIVEL: LEFT
RISER: LEFT TOP
SPRING: RIGHT
(REVERSE PLUMBING, DRUM, & SPRING)
ROLLERS: TOP



-BXIX
SWIVEL: RIGHT
RISER: RIGHT TOP
SPRING: LEFT
ROLLERS: CEILING - FRONT



-BXIC
SWIVEL: LEFT
RISER: LEFT TOP
SPRING: RIGHT
(REVERSE PLUMBING, DRUM, & SPRING)
ROLLERS: CEILING - REAR

NOTES:

1. THE FIRST OPTION LETTER REPRESENTS COLOR. REFER TO PAGE 1 OPTIONS FOR SELECTIONS.
2. SECOND OPTION DENOTES SWIVEL OPTION. REFER TO PAGE 1 FOR OPTIONS
3. DLP MODELS WILL HAVE TWO RISERS AND AN ADDITIONAL SWIVEL ON THE SIDE OF THE SPRING.

COXREELS
5865 S Ash Avenue Tempe, Az 85283
1-800-COX-REEL www.coxreels.com
THIS DOCUMENT CONTAINS PROPRIETARY INFORMATION AND IS THE PROPERTY OF COXREELS, INC. THE COPYING, DISTRIBUTION AND UTILIZATION OF THIS DOCUMENT AS WELL AS COMMUNICATION OF ITS CONTENT TO OTHERS WITHOUT THE WRITTEN AUTHORIZATION OF COXREELS, INC., IS PROHIBITED.

TITLE: SP/DP SERIES		REV. -
DWG. NO.:	SP/DP SERIES	SIZE: A
3RD ANGLE 	INTERPERT PER ASME : Y14.5M-1994 DO NOT SCALE DWG.	SHT:2 OF:2